

**SGM300V
SGM310V
SGM315V
SGM320V
SGM325V**

VoLt series



SUNGRACE VoLt series solar modules are available in multi crystalline forms duly laminated and framed.

The solar Module is an encapsulation of PV cells and EVA between glass and back sheet. The modules are insulated and framed in anodized aluminium channels, providing high mechanical strength and making the modules resistant to extreme weather conditions. This process protects the modules and helps for a convenient and safe installation.

These modules are rugged, light in weight and are known for their high efficiency and quality to provide maximum energy production throughout the day.

The ideal designs of these modules with its large surface area are ideally suitable for any type of power applications. The Modules are designed to achieve voltage and current configurations suiting various requirements.

- High performance crystalline module
- High reliability power output
- Reliable electrical connections for optimal performance
- Robust frame and durable materials
- Rigorous quality control meeting the international standards
- ISO certification from TUV
- IEC certification from UL
- 25 years limited power output warranty*

CERTIFICATION

**IEC 61215
IEC 61730 – 1&2
IEC 61701**



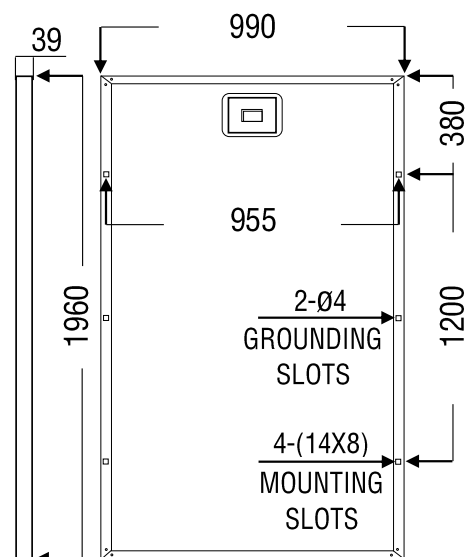
ELECTRICAL DATA#

Model	SGM300V	SGM310V	SGM315V	SGM320V	SGM325V
Rated Maximum Power – Pmax	300	310	315	320	325
Open Circuit Voltage – Voc	90.1	90.5	90.6	90.7	90.8
Short Circuit Current – Isc	4.45	4.56	4.63	4.7	4.76
Voltage at Maximum Power – Vmp	73.1	73.5	73.6	73.7	73.8
Current at Maximum Power – Imp	4.1	4.21	4.28	4.34	4.4
Maximum System Voltage – V	1000				
Maximum Series Fuse Rating – A	15				
Module Efficiency	15.46	15.98	16.23	16.49	16.74
Limiting Reverse Current – A	15				
Power Tolerance	±3%				

#Specification are as per Standard Test Conditions (STC) of 1000 W/m² irradiance, AM 1.5 spectrum and 25 deg C cell temperature.

MECHANICAL DATA

Module Dimensions: Length x Width	1960 x 990
Mounting Dimensions: Length x Width	1200 x 955
Mounting Holes Pitch (Y)	1200
Mounting Holes Pitch (X)	955
Weight (kg)	25
Frame Thickness	39
Front Glass	3.2mm High Transmission, Tempered Glass
Embedding	Ethylene Vinyl Acetate
Frame Material	Anodized Aluminium Alloy
Junction Box	IP65 Weatherproof
Number of Bypass Diodes	3
Connector	IP67
Mechanical Load	7500Pa
Safety Class	II
Safety Application Class	A



REAR VIEW

All dimensions are in mm

THERMAL DATA

Temperature Coefficient – Pmax	-0.38%
Temperature Coefficient – Voc	-0.30%
Temperature Coefficient – Isc	+0.06%

Please feel free to contact us at the following address. We assure you our best service always.

SUNGRACE ENERGY SOLUTIONS PVT LTD.

Head Office: F-4, Road No.12, IDA Nacharam, Hyderabad-500 076
Ph:+91 40 271578 93/94/95 Fax: +91 40 27157893. Email: admin@sungrace.net

Regional Office:

Jharkhand

24G, Tagore Hill Road, Morabadi, Ranchi – 834 008

Andhra Pradesh

D.No.: 2/06, Opp.: Gandhi Statue, Sangam Jagarlamudi, Tenali – 522 213

Rajasthan

Haider Building, Out Side Sojati Gate, Jodhpur – 342 001

Kerala

M.C.Road, Angamaly – 683 572, Dist. Ernakulam

www.sungrace.net

Sungrace reserves the right to change the Specification & other details mentioned in this sheet without any prior notice.
* Minimum 80% at the end of 25years for further details refer to warranty document for terms & conditions.

